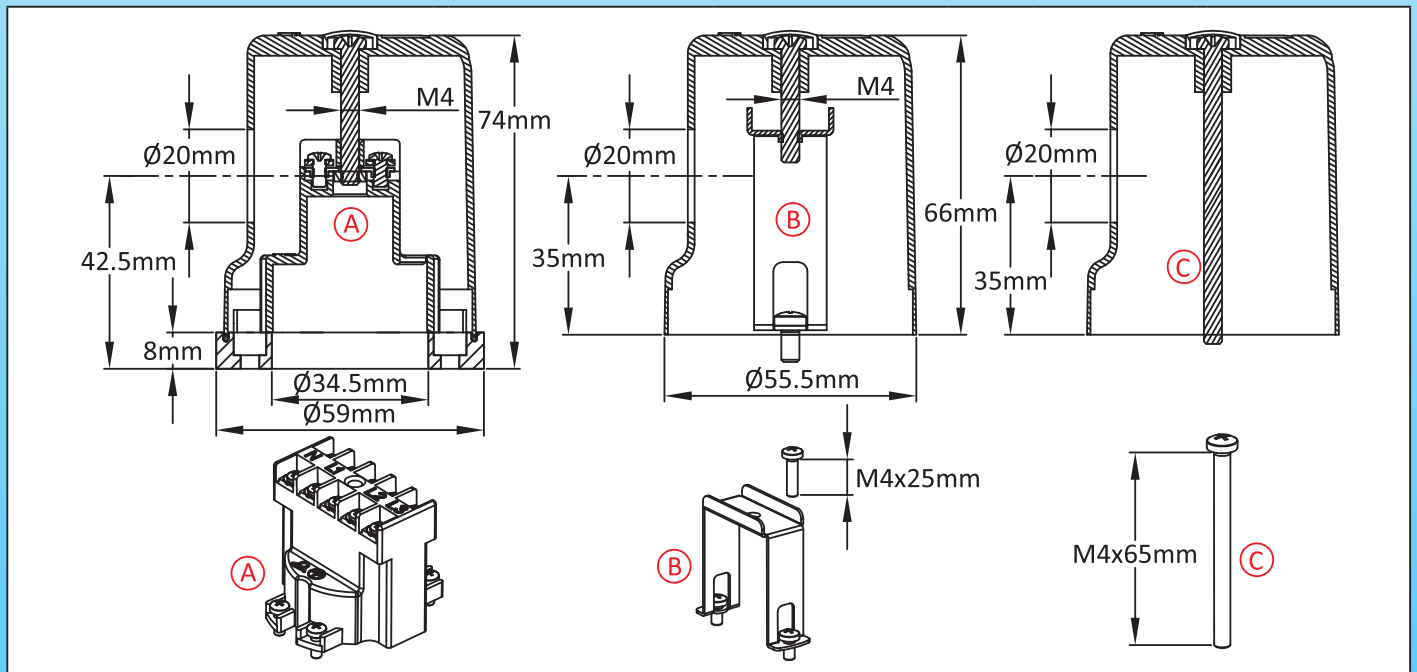


Immersion heater enclosure for standard fittings with three M4 mounting screws at 120°

Size(mm)	Volume(cm ³)	Material	Protection grade		Model
Dia. 54 x 74	180	PA66	IP69K	IK8	Y3C1

Suitable for




- Temperature sensor
- Immersion heater
- Finned heater
- Thermostat
- Level sensor
- Electronic board



Main references

(A)	(B)	(C)	References
√	×	×	Y3C10001120H200T
×	√	×	Y3C10001120E100T
×	×	√	Y3C100011200100T

Links

	Page (.pdf)
	Drawing 2D (.dwg)
	Drawing 3D (.stp)

Because of permanent improvement of our products, drawings, descriptions, features used on these data sheets are for guidance only and can be modified without prior advice.

Cable gland not included in these reference, consult us if you want them.
 Red dimensions inside rectangular frames on drawings are used for accessories assembly.

